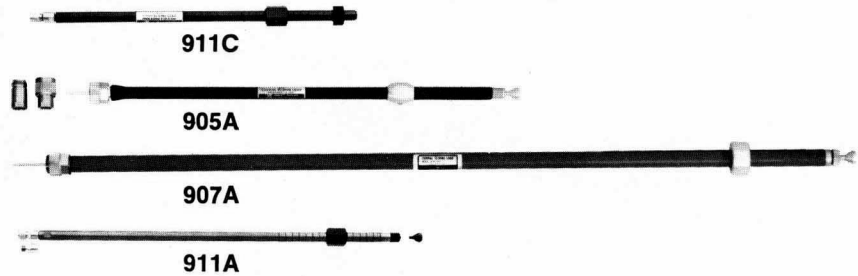
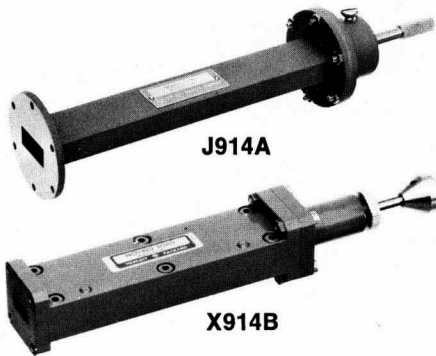


TERMINATIONS

Coaxial and waveguide Sliding loads



905A, 907A, 911A/C Coaxial sliding loads

The 905A, 907A, 911A, and 911A/C are movable 50-ohm, low reflection loads for precision measurements. The 905A and 907A are supplied with three interchangeable connectors, N-male, N-female and APC-7. The 911A is supplied with SMA male and female connectors, the 911C with APC-3.5 male and female connectors.

Additional accessories furnished are carrying case and wrench for changing connector bodies.

Load travels at least one-half a wavelength at the lowest specified frequency except the 911C which travels $\frac{3}{8}$ wavelength at 2 GHz.

914A/B Waveguide sliding loads

Model 914 Moving Load consists of a section of waveguide in which is mounted a sliding, tapered, low-reflection load. A plunger controls the position of the load, moving it at least one-half wavelength at the lowest waveguide frequency. Thus the phase of the residual load reflection may be reversed so that this reflection can be separated from the other small reflections in the waveguide system. All bands have precision cover flanges which mate with other precision flanges or with choke flanges.

905A, 907A, 911A/C, 914A/B Specifications

Model	Frequency Range (GHz)	Load Element SWR Maximum	Maximum Power	Waveguide Size Nom. O.D. mm (in.) EIA	Equivalent Flange (Connector)	Length mm (in.)	Shipping Weight kg (lb)
905A	1.8 - 18	1.05	1 W Avg. 5 kW peak	—	(N (m) N (f) APC-7)	440 (17 $\frac{1}{4}$)	0.9 (2)
907A	1 - 18	1 - 1.5 GHz: 1.1 1.5 - 18 GHz: 1.05	1 W Avg. 5 kW peak	—	(N (m) N (f) APC-7)	778 (30 $\frac{5}{8}$)	6.3 (14)
911A	2 - 18	2 - 4 GHz: 1.12 4 - 8 GHz: 1.07 8 - 18 GHz: 1.05	1 W Avg. 5 kW peak	—	(SMA (m) SMA (f))	380 (14 $\frac{7}{8}$)	0.9 (2)
911C	2 - 26.5	2 - 10 GHz: 1.22 10 - 26.5 GHz: 1.07	1 W Avg. 5 kW Peak	—	(APC-3.5 (m) APC-3.5 (f))	266 (10 $\frac{1}{2}$)	0.9 (2)
J914A	5.3 - 8.2	1.01	2 W Avg.	38.1 x 19.05 (1.5 x 0.75)/ WR137	UG-344/U	394 (15 $\frac{1}{2}$)	2.3 (5)
H914A	7.05 - 10.0	1.01	1 W Avg.	31.75 x 15.88 (1.25 x 0.625)/ WR112	UG-51/U	267 (11 $\frac{1}{2}$)	0.9 (2)
X914B	8.2 - 12.4	1.01	1 W Avg.	25.4 x 12.7 (1 x 0.5) WR90	UG-135/U	257 (10 $\frac{1}{8}$)	0.9 (2)
P914A	12.4 - 18.0	1.01	$\frac{1}{2}$ W Avg.	17.83 x 9.93 (0.702 x 0.391)/ WR62	UG-419/U	248 (9 $\frac{3}{4}$)	0.45 (1)
K914B	18.0 - 26.5	1.01	$\frac{1}{2}$ W Avg.	12.7 x 6.35 (0.5 x 0.25) WR42	UG-595/U	156 (6 $\frac{1}{8}$)	0.45 (1)
R914B	26.5 - 40.0	1.01	$\frac{1}{2}$ W Avg.	9.14 x 5.59 (0.360 x 0.220)/ WR28	UG-599/U	130 (5 $\frac{1}{8}$)	0.45 (1)

Circular Flange Adapters Available: For K-band, Specify HP 11515A (UG-425/U)
For R-band, Specify HP 11516A (UG-381/U)